

Product information

Cooling and Heating Devices for Pump Heads

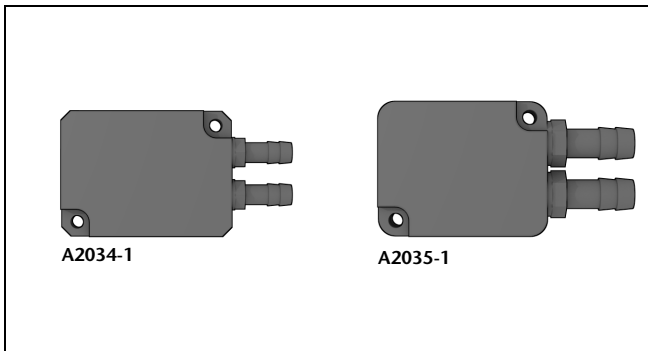


Fig. 1 Cooling and heating device

Note: For your own safety, read the supplement and always observe the warnings and safety information on the product and in the supplement.

Note: Technical data are subject to change without notice. Please check our website for latest updates and changes.

The cooling and heating devices A2034-1 and A2035-1 can heat or cool down the temperature of the pump head with an external circulating water bath in the range of 0°C up to 120°C. Please check pumphead specification for maximum operating temperature. The cooling and heating devices can be used for all types of KNAUER pump heads independent of their size or inlay design. The Connection of the circulating water bath to the thermostatization device is easily made by using the supplied silicon tubings.

To attach the cooling device to the pump head, loosen and remove the two screws as indicated in the figure below. Set the device onto the head and affix it with the two longer screws included with the device.

Attaching

Precondition

- The pump is pressureless.

Tools

- Allen wrench, size 4 mm.

Process

1. Screw the two screws ① out of the pump head (s. Fig 2).
2. Set the cooling and heating device onto the head.
3. Affix it with the two longer screws ② included with the device (s. Fig 3).

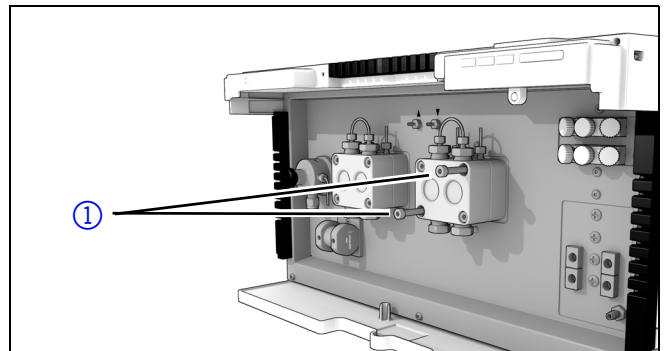


Fig. 2 Loosen and remove the two screws

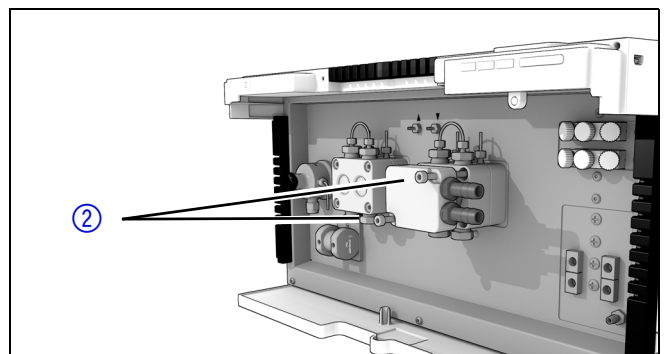


Fig. 3 Mounting the device

Repeat Orders

Name	Order no.
Cooling and heating device for 100, 250, 500 and 1000 ml pump heads	A2034-1
Cooling and heating device for 10 and 50 ml pump heads	A2035-1

Technical Data

Dimensions (B × H × T)	490 × 390 × 16 mm
Material	Aluminium